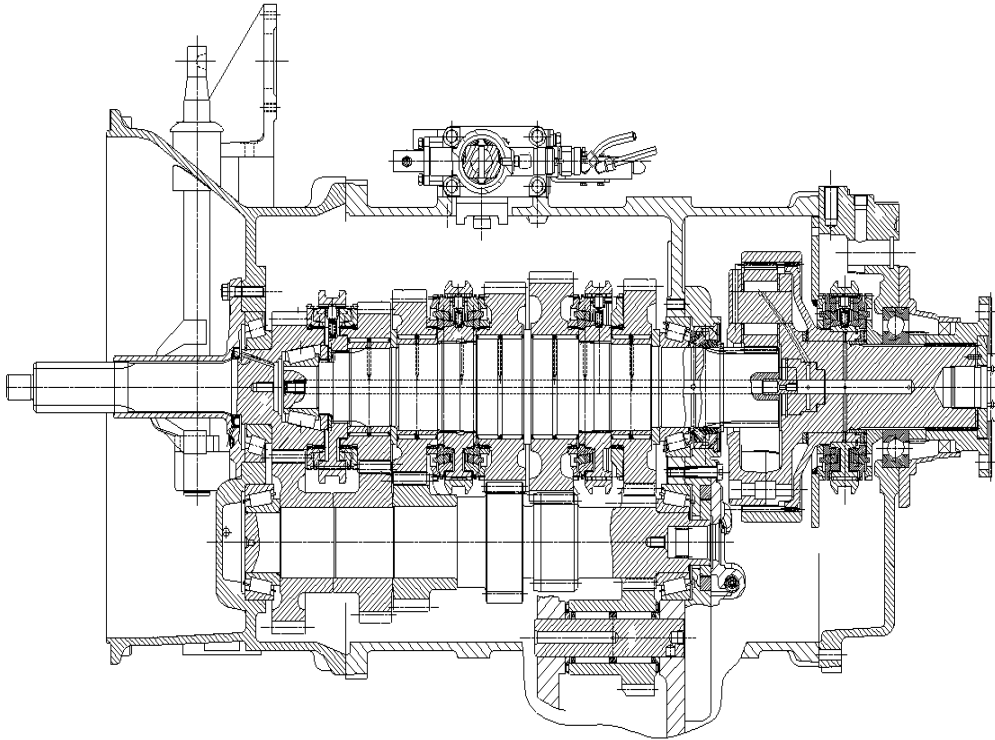


Sinotruk International

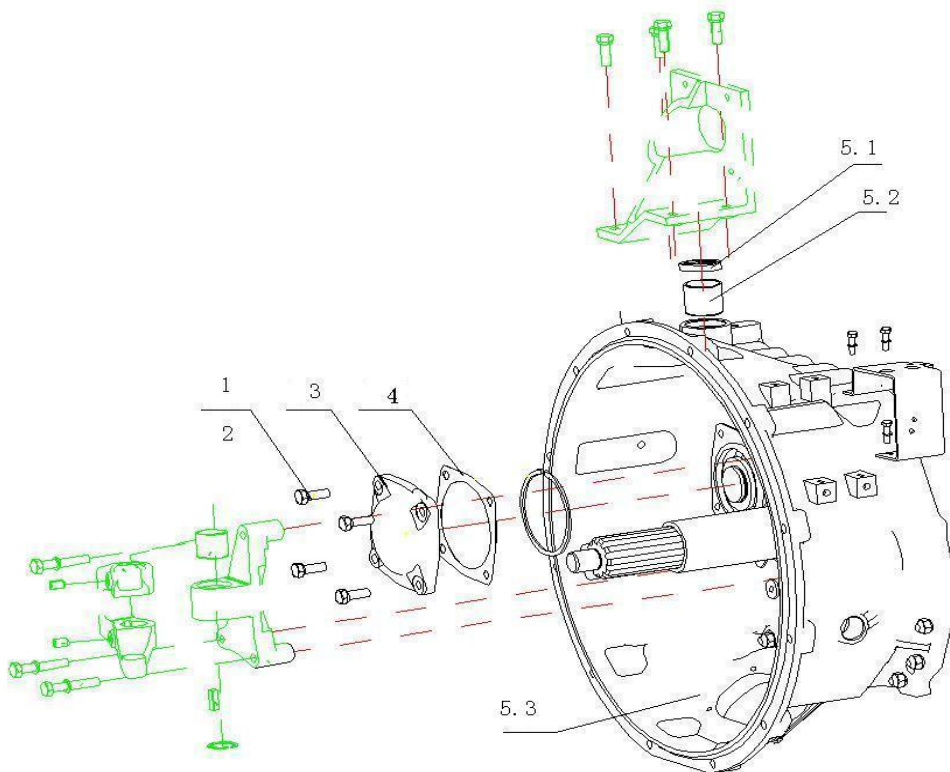
WEBSITE: <https://www.sinotrukinternational.com>

E-MAIL: sinotruk@sinotrukinternational.com

3.1.01 变速器总成/Transmission Ass.



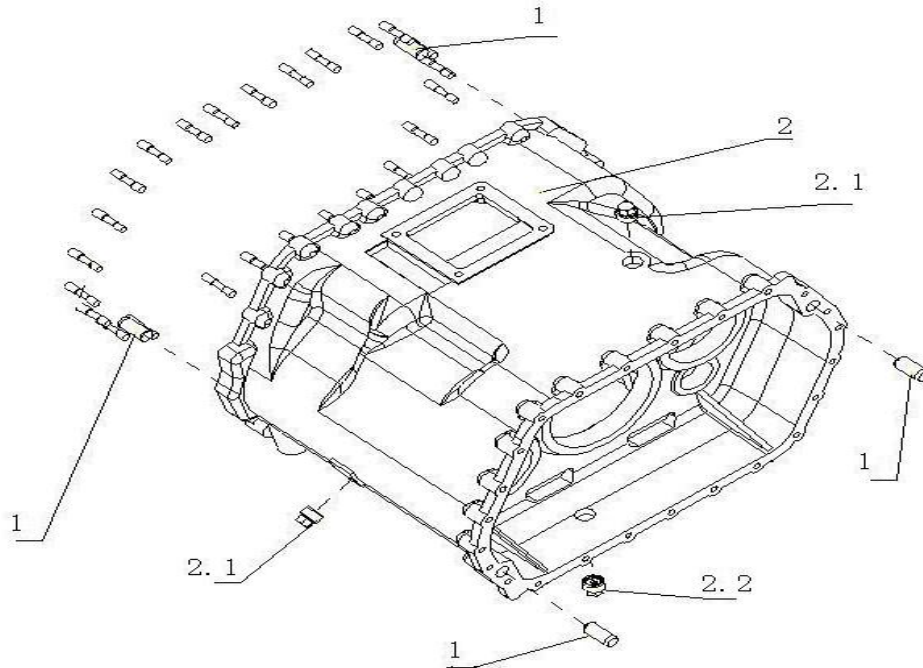
3.1.02 变速器前壳组件/Transmission Front Housing



3.1.02 变速器前壳组件/Transmission Front Housing

序号	零部件图号	名称	Part Name	数量	备注
No.	Part No.			Qty	Remark
1	Q150B1030	六角头螺栓	Screw	4	
2	Q40310	弹簧垫圈	Spring washer	4	
3	WG2222000001	副轴端盖	Cover	1	
4	WG2229000002	副轴端盖衬垫	Gasket	1	
5	AZ2203000001	变速器前壳总成	Transmission Front Housing ass.	1	
5.1	WG2229003030	复合衬套	Bush	1	
5.2	WG9003073001	骨架油封PS 30 45 8	Oil sealing	1	
5.3	AZ2220000201	变速器前壳	Transmission Front Housing	1	
6	WG2229000001	变速器前壳衬垫	Gasket	1	
7	Q341B10	1型六角螺母-细牙	Nut	25	
8	Q40310	弹簧垫圈	Spring washer	25	

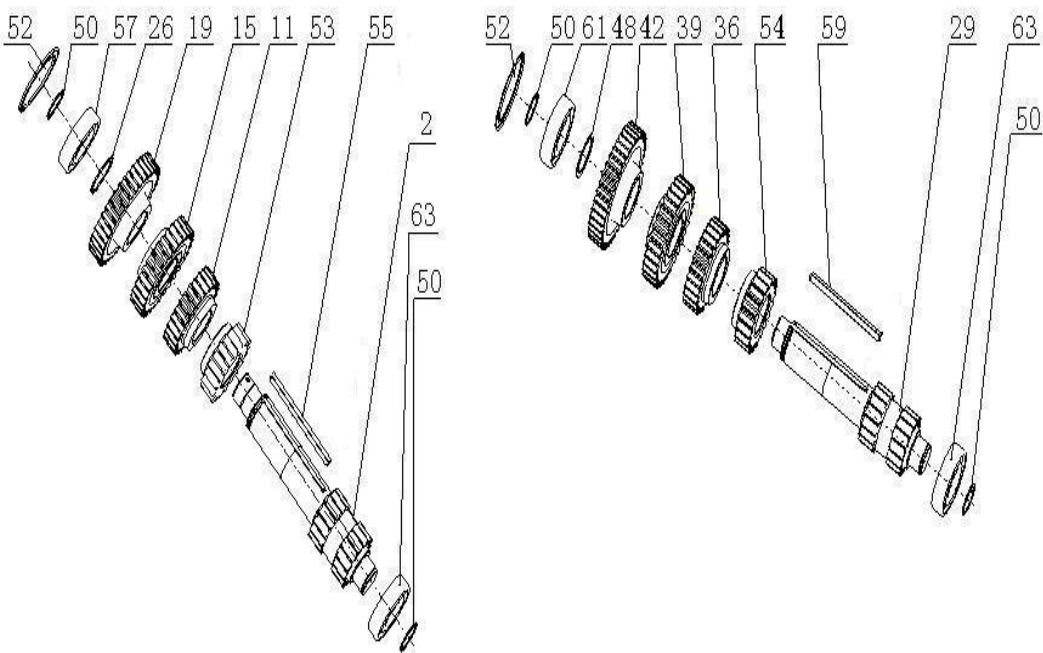
3.1.03 变速器中壳组件/Transmission Housing -Middle



3. 1. 03 变速器中壳组件/Transimission Housing -Middle

序号	零部件图号	名称	Part Name	数量	备注
No.	Part No.			Qty	Remark
1	WG2229010001	定位销	Pin	4	
2	AZ2203010005	变速器中壳总成	Transmission Housing -Middle ass.	1	
2.1	WG2229010002	螺塞	Screw plug	2	
2.2	WG2203010002	放油螺塞总成	Screw plug	1	
3	Q1231035	柱头螺栓	Screw	25	

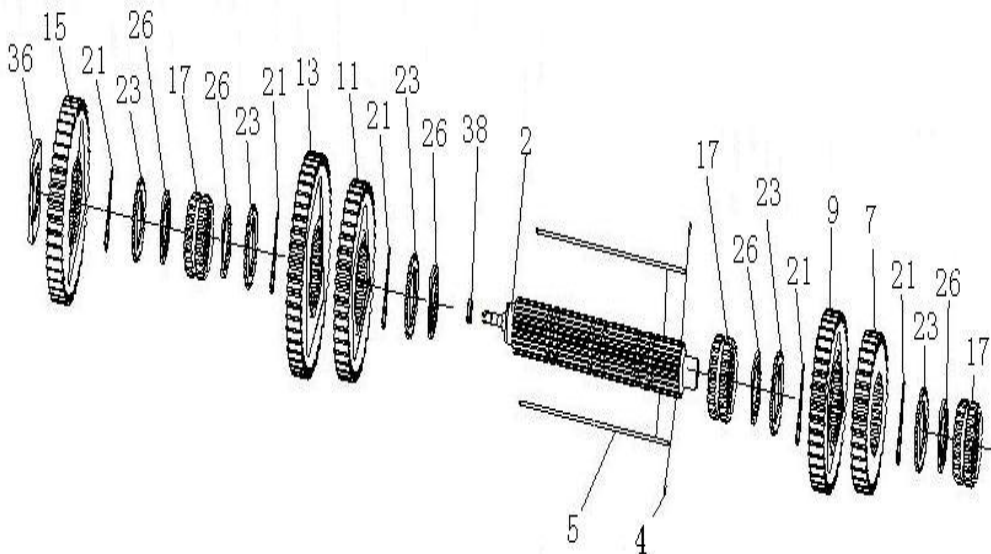
3. 1. 04 副轴组件/Lay Shaft



3. 1. 04 副轴组件/Lay Shaft

序号	零部件图号	名称	Part Name	数量	备注
No.	Part No.			Qty	Remark
-	AZ2203030211	副轴总成(左)	Auxiliary shaft-left ass.	1	
2	AZ2210030335	副轴(左)	Auxiliary shaft-left	1	
11	AZ2210030324	副轴三挡齿轮	3rd gear	1	
15	AZ2210030326	副轴四挡齿轮	4th gear	1	
19	AZ2210030325	副轴传动齿轮	Helical gear	1	
26	Q43160	轴用弹性挡圈	Snap ring	1	
28	AZ2203030212	副轴总成(右)	Auxiliary shaft-right ass.	1	
29	AZ2210030340	副轴(右)	Lay shaft-right	1	
36	AZ2210030324	副轴三挡齿轮	3rd gear	1	
39	AZ2210030326	副轴四挡齿轮	4th gear	1	
42	AZ2210030325	副轴传动齿轮	Helical gear	1	
48	Q43160	轴用弹性挡圈	Snap ring	1	
50	Q43145	轴用弹性挡圈	Snap ring	4	
52	AZ9003990100	止动环	Ring	2	
53	AZ2210030203	副轴二挡齿轮	2nd gear	1	
54	AZ2210030203	副轴二挡齿轮	2nd gear	1	
55	WG2229030003	长平键	Key	1	
57	WG9003329309	圆柱滚子轴承	Bearing	1	
59	WG2229030003	长平键	Key	1	
61	WG9003329309	圆柱滚子轴承	Bearing	1	
63	WG9003320309	圆柱滚子轴承	Bearing	2	

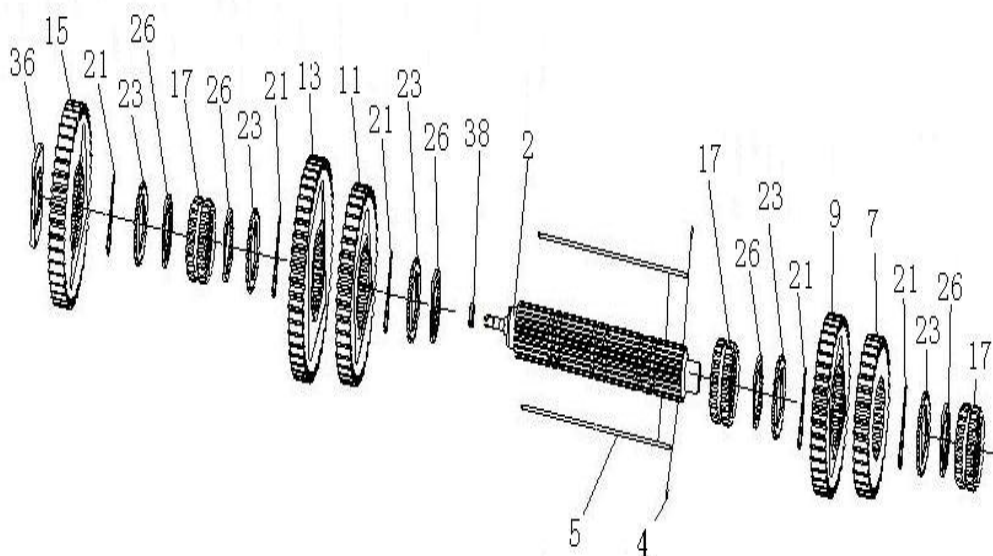
3. 1. 05 主轴组件(细高齿)/Main Shaft



3.1.05 主轴组件(细高齿)/Main Shaft

序号	零部件图号	名称	Part Name	数量	备注
No.	Part No.			Qty	Remark
1	AZ2203040406	主轴总成	Main shaft ass.	1	
2	WG2203040009	主轴带球头总成	Main shaft	1	
4	Q5280310	弹性圆柱销	Spring cylinder pin	2	
5	WG2229040211	六角键	Hex key	2	
7	AZ2210040324	主轴四挡齿轮	4th gear	1	
9	AZ2210040325	主轴三挡齿轮	3rd gear	1	
11	AZ2210040316	主轴二挡齿轮	2nd gear	1	
13	AZ2210040340	主轴一档齿轮	1st gear	1	
15	AZ2210040317	主轴倒档齿轮	Reverse gear	1	
17	WG2210040210	主轴滑套	Slide sleeve	3	
21	WG2229040003	卡簧	Snap spring	5	
23	WG2210040012	花键挡片	Spacer	5	
26	AZ2208040001	花键调整片组	Adjust washer unit	1	
27	WG2210040021	花键调整片	Adjust washer	1	
29	WG2210040022	花键调整片	Adjust washer	1	
31	WG2210040023	花键调整片	Adjust washer	1	
33	WG2210040024	花键调整片	Adjust washer	1	
36	WG2210040002	主轴大挡片	Spacer	1	
38	AZ2208040002	主轴调整垫片组	Adjust washer unit	1	
39	WG2229040031	主轴调整垫片	Adjust washer	1	

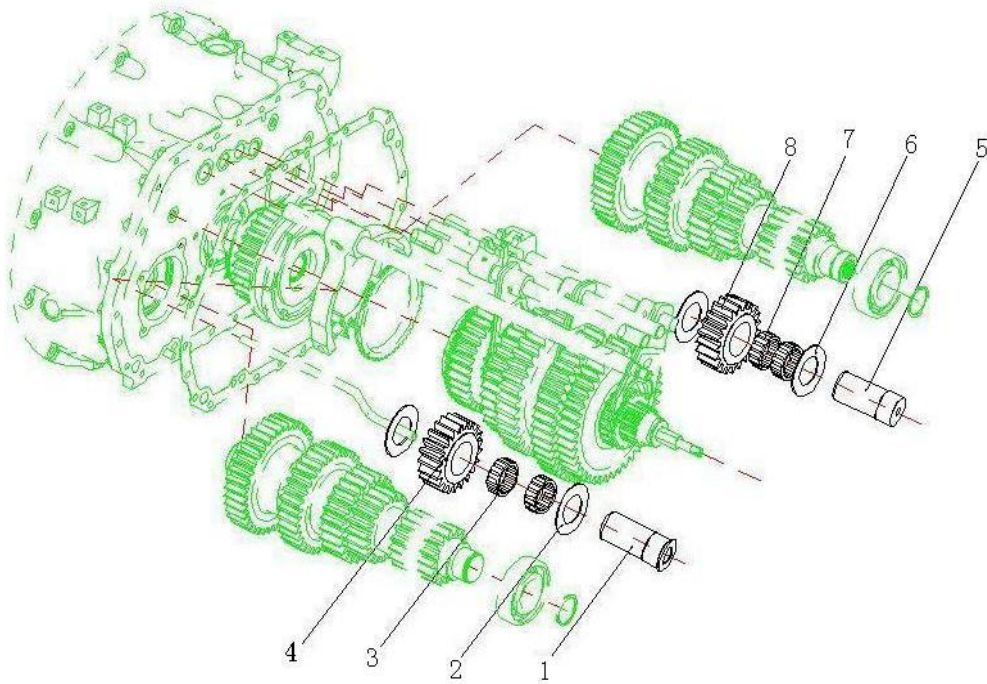
3.1.05 主轴组件(细高齿)/Main Shaft



3.1.05 主轴组件(细高齿)/Main Shaft

序号	零部件图号	名称	Part Name	数量	备注
No.	Part No.			Qty	Remark
41	WG2229040032	主轴调整垫片	Adjust washer	1	
43	WG2229040033	主轴调整垫片	Adjust washer	1	
45	WG2229040034	主轴调整垫片	Adjust washer	1	
47	WG2229040035	主轴调整垫片	Adjust washer	1	
49	WG2229040036	主轴调整垫片	Adjust washer	1	
51	WG2229040037	主轴调整垫片(6.15)	Adjust washer	1	
53	WG2229040038	主轴调整垫片(6.30)	Adjust washer	1	
55	WG2229040039	主轴调整垫片(6.45)	Adjust washer	1	

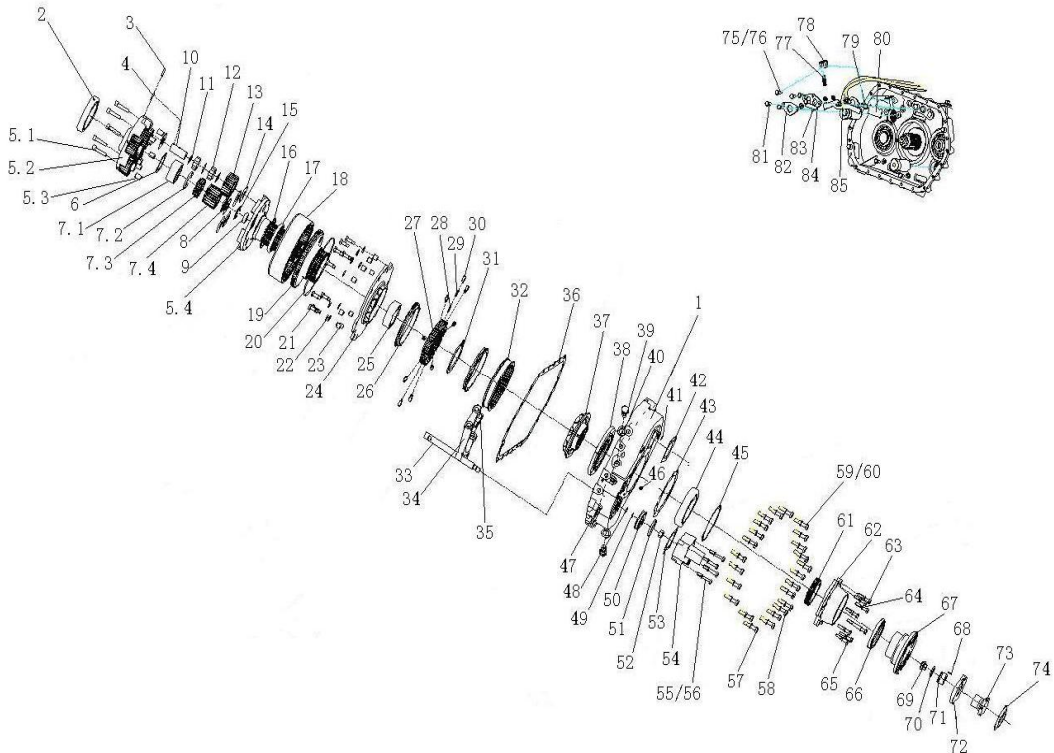
3.1.06 惰轮轴组件/Idle Wheel



3.1.06 惰轮轴组件/Idle Wheel

序号	零部件图号	名称	Part Name	数量	备注
No.	Part No.			Qty	Remark
1	WG2212050101	惰轮轴(左)	Idle gear shaft-left	1	
2	WG2229050001	垫片	Washer	2	
3	WG9003395320	滚针轴承K455320	Needle bearing	2	
4	WG2210050301	惰轮	Idle gear	1	
5	WG2212050102	惰轮轴(右)	Idle gear shaft-right	1	
6	WG2229050001	垫片	Washer	2	
7	WG9003395320	滚针轴承K455320	Needle bearing	2	
8	WG2210050301	惰轮	Idle gear	1	

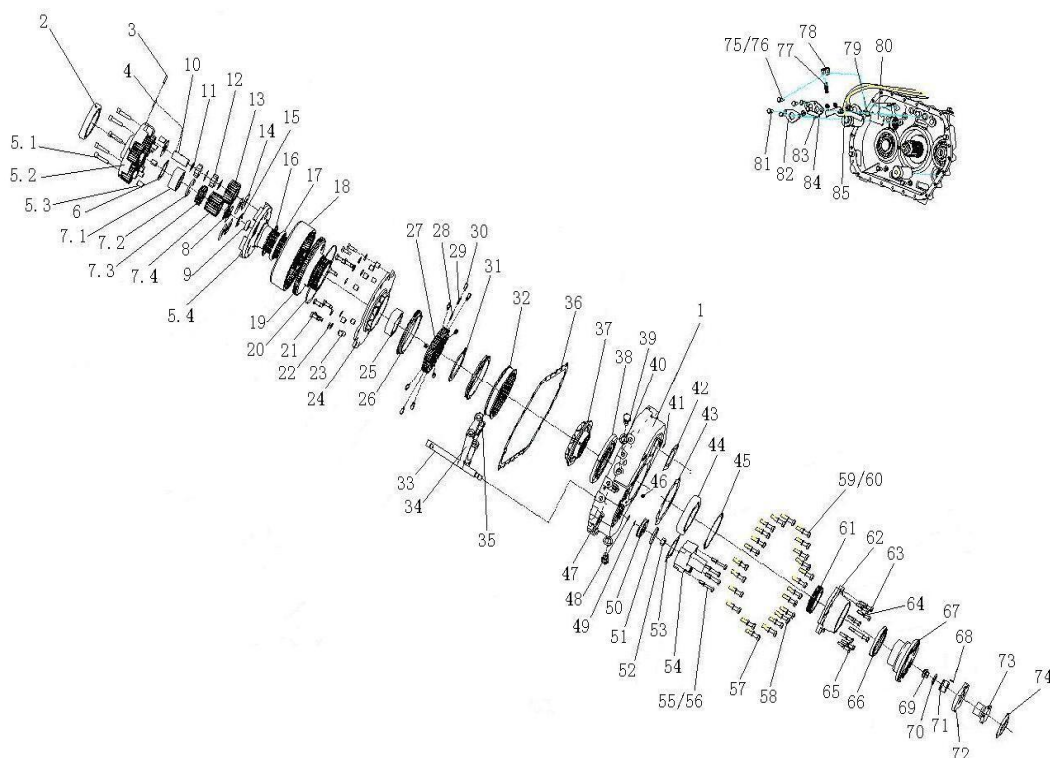
3.1.07 范围档副箱组件/Sub Gearbox



3.1.07 范围档副箱组件/Sub Gearbox

序号	零部件图号	名称	Part Name	数量	备注
No.	Part No.			Qty	Remark
1	AZ2220100105	变速器后壳	Rear housing	1	
2	WG9003326020	滚动轴承6020 GB/T276	Bearing	1	
3	Q5280630	弹性圆柱销	Pin	5	
4	Q5280430	弹性圆柱销	Pin	5	
5	AZ2203100002	行星架总成	Planetary gear frame assembl	1	
5.1	WG9003821255	内六角圆柱头螺钉M12X1.	Screw	5	
5.2	WG2225100002	行星架(前)	Planetary gear frame	1	
5.3	WG2229100001	传扭套	Sleeve	5	
5.4	AZ2225100001	输出轴	Output shaft	1	
5.5	AZ9007970271	螺纹紧固胶LOCTITE271	Thread glue	1	
6	WG2229100005	太阳轮垫片(前)	Gasket	1	
7	AZ2203100003	太阳轮及套总成	Gear assembly	1	
7.1	WG2210100002	花键套	Sleeve	1	
7.2	Q43875	孔用钢丝挡圈	Circlip	1	
7.3	WG2210100003	过渡套	Sleeve	1	
7.4	WG2210100001	太阳轮	Gear	1	
8	WG2229100006	太阳轮垫片(后)	Gasket	1	
9	WG9003326322	滚动轴承63/22 GB/T276	Bearing	1	
10	WG2212100001	行星轮轴	Shaft	5	
11	WG2229100007	滚子间隔片	Shim	15	

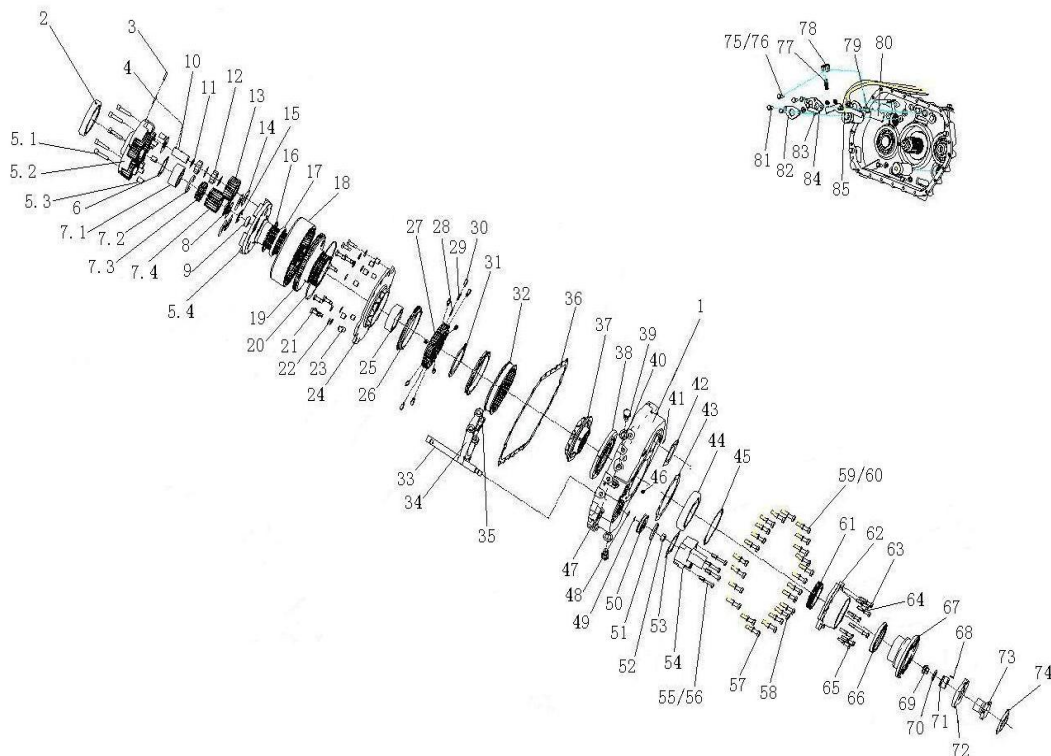
3.1.07 范围档副箱组件/Sub Gearbox



3.1.07 范围档副箱组件/Sub Gearbox

序号	零部件图号	名称	Part Name	数量	备注
No.	Part No.			Qty	Remark
12	WG9003321118	圆柱滚子11X18IIIb GB466	Roller	120	
13	WG2210100012	行星轮	Gear	5	
14	WG2229100008	行星轮垫片	Shim	10	
15	WG9003991056	孔用弹性挡圈	Circlip	1	
16	WG9003991125	孔用压扁钢丝挡圈	Circlip	1	
17	WG9003321820	滚动轴承61820 GB/T276	Bearing	1	
18	WG2210100005	内齿圈	Ring gear	1	
19	WG2210100006	齿圈支架	Bracket	1	
20	WG2229100012	钢丝挡圈	Circlip	1	
21	Q150B1240	六角头螺栓	Bolt	9	
22	Q40112	平垫圈	Washer	9	
23	WG2229100002	传扭套	Sleeve	9	
24	WG2203100005	低档锥毂总成	Tapered plate assembly	1	
25	WG2229100032	隔套	Sleeve	1	
26	WG2210100009	范围档同步环	Ring	2	
27	WG2210100007	范围档同步齿座	Base	1	
28	WG2229020003	推块内弹簧	Spring	9	
29	WG2229020002	推块外弹簧	Spring	9	
30	WG2229020001	同步推块	Block	9	
31	WG9003991130	轴用弹性挡圈	Circlip	1	

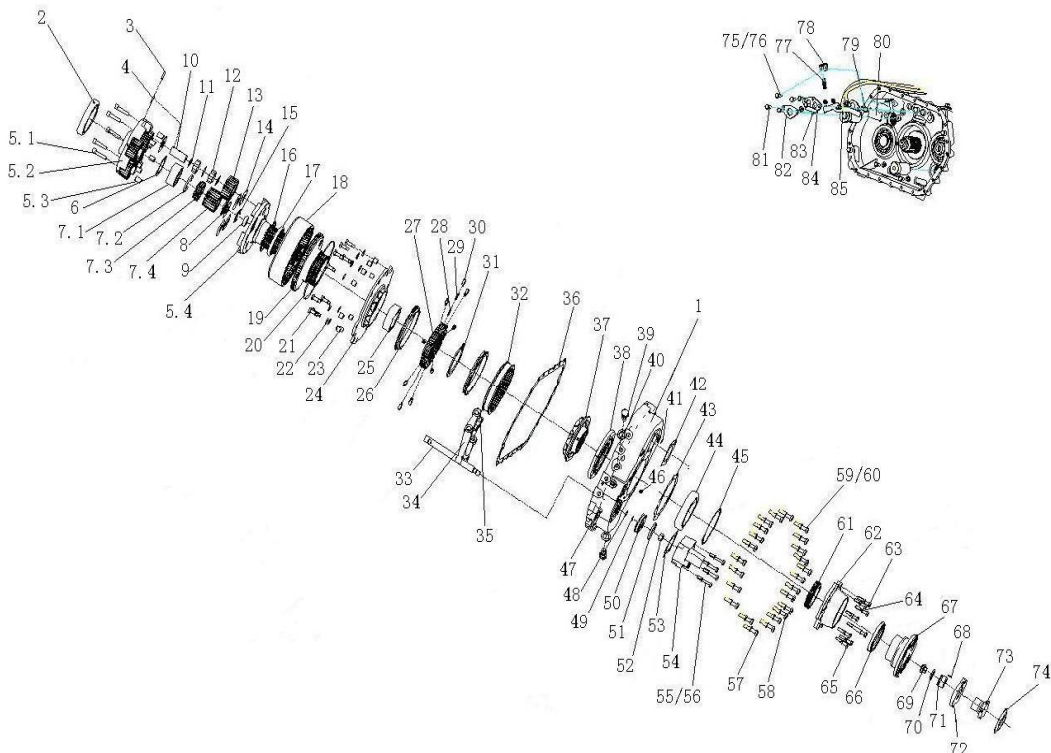
3.1.07 范围档副箱组件/Sub Gearbox



3.1.07 范围档副箱组件/Sub Gearbox

序号	零部件图号	名称	Part Name	数量	备注
No.	Part No.			Qty	Remark
32	WG2210100008	范围档同步滑套	Sleeve	1	
33	WG2214100002	范围档拨叉轴	Fork shaft	1	
34	WG2214100001	范围档拨叉	Fork	1	
35	WG2229100042	拨叉摆块	Block	2	
36	WG2229100062	副箱纸垫	paper gasket	1	
37	WG2203100006	高档锥毂总成	Tapered plate assembly	1	
38	WG2203100007	导油环总成	Oil ring assembly	1	
39	WG2229100043	拨叉支撑销	Pin	2	
40	WG9003990024	波形弹性垫圈	Wave washer	2	
41	WG9003070800	O形圈18000800 GB3452.1	O-ring	1	
42	WG2229100048	盖板衬垫	Gasket	1	
43	WG2229100041	输出轴后端盖纸垫	Gasket	1	
44	WG9003326218	滚动轴承6218 GB/T276	Bearing	1	
45	AZ2208100003	调整垫片组	Shim	1	
45.1	WG2229100035	调整垫片	Shim	1	
45.2	WG2229100036	调整垫片	Shim	1	
45.3	WG2229100037	调整垫片	Shim	1	
46	WG9003070800	O形圈18000800 GB3452.1	O-ring	1	
47	WG2229100061	吊装板	Plate	1	
48	WG9003072503	O形圈35502500 GB3452.1	O-ring	2	

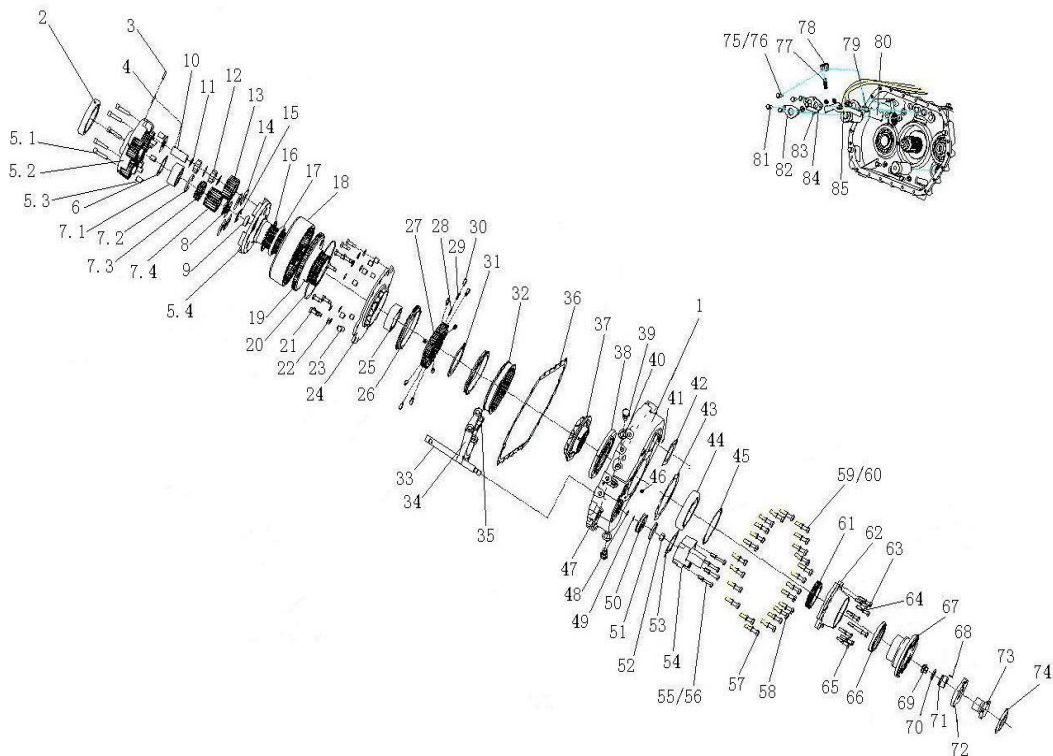
3.1.07 范围档副箱组件/Sub Gearbox



3. 1. 07 范围档副箱组件/Sub Gearbox

序号	零部件图号	名称	Part Name	数量	备注
No.	Part No.			Qty	Remark
49	WG9003071700	O形圈26500170 GB3452.1	O-ring	1	
50	WG2229100050	范围挡活塞	Piston	1	
51	WG9003076900	O形圈53006900 GB3452.1	O-ring	1	
52	AZ9003870016	六角螺母M16×1.5	Nut	1	
53	WG2229100049	范围挡气缸纸垫	Gasket	1	
54	WG2222100009	范围挡气缸	Range cylinder	1	
55	Q150B1065	六角头螺栓	Bolt	4	
56	Q40310	弹簧垫圈	Spring washer	4	
57	Q150B1050	六角头螺栓	Bolt	16	
58	WG9003801058	六角头螺栓Q150B1058	Bolt	2	
59	Q150B1060	六角头螺栓	Bolt	6	
60	Q40310	弹簧垫圈	Spring washer	24	
61	WG2210100020	传感器齿圈	Ring gear	1	
62	WG2222100023	输出轴后端盖(双油封)	Rear bracket	1	
63	Q150B1055	六角头螺栓	Bolt	7	
64	Q40310	弹簧垫圈	Spring washer	8	
65	Q170B1055	六角头头部带孔螺栓	Bolt	1	
66	WG9003070105	骨架油封PS 105 130 14	Oil seal	1	
67	WG2210100018	输出法兰Φ180端面齿	Flange	1	
68	WG9003345138	滚针P5×13.8 GB309	Needle	1	

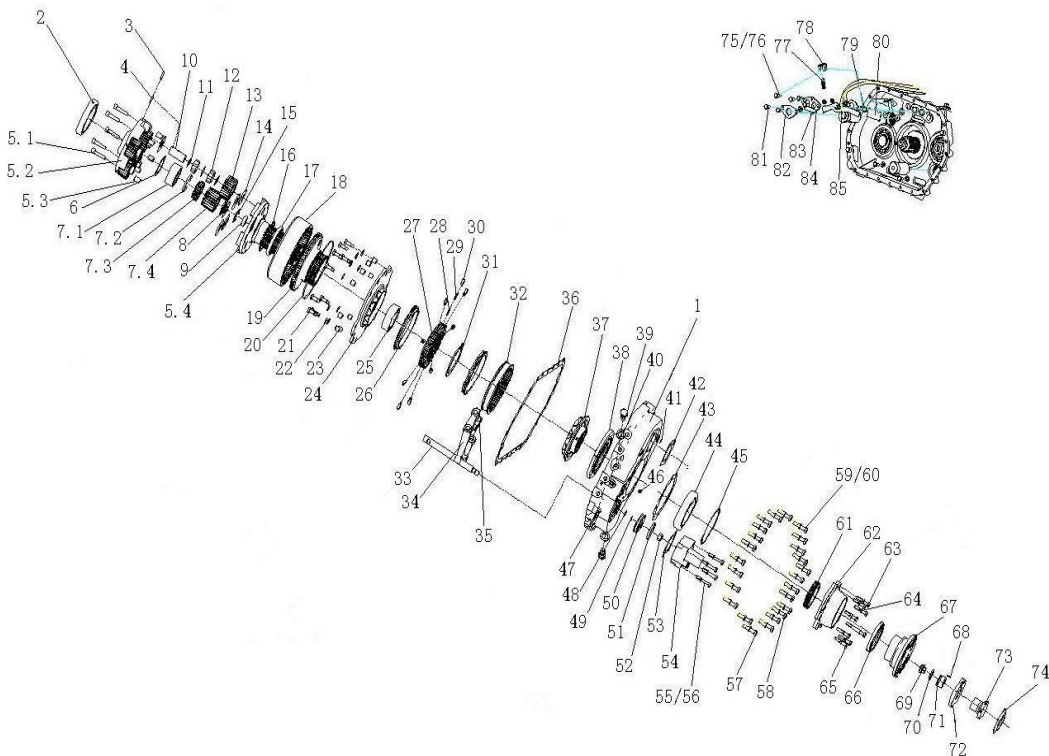
3. 1. 07 范围档副箱组件/Sub Gearbox



3.1.07 范围档副箱组件/Sub Gearbox

序号	零部件图号	名称	Part Name	数量	备注
No.	Part No.			Qty	Remark
69	WG2229100011	固定螺母	Nut	1	
70	WG9003073150	O形圈35503150 GB3452.1	O-ring	1	
71	WG2229100071	堵塞	Plug	1	
72	WG2229100072	压板	Plate	1	
73	WG2229100073	螺栓	Bolt	1	
74	WG2229100074	锁片	Shim	1	
75	Q150B1020	六角头螺栓	Bolt	1	
76	Q40310	弹簧垫圈	Spring washer	1	
77	WG2229210019	范围档锁弹簧	Spring	1	
78	WG2203100012	弹簧定位销总成	localizer Pin assembly	1	
79	WG2229100056	锁板支销	Pin	1	
80	WG2229100175	锁板垫板	Plate	1	
81	Q150B1025	六角头螺栓	Bolt	5	
82	WG2229100052	锁板压板 (小)	Plate	1	
83	WG2229100054	压板垫块	Block	5	
84	WG2229100174	锁板压板 (大)	Plate	1	
85	WG2229100173	主副箱互锁板	Plate	1	
86	AZ9007970271	螺纹紧固胶LOCTITE271	Thread glue	1	
87	AZ9007990001	硅酮密封胶	Sealant	1	
88	AZ9007970242	螺纹紧固胶LOCTITE242	Thread glue	1	

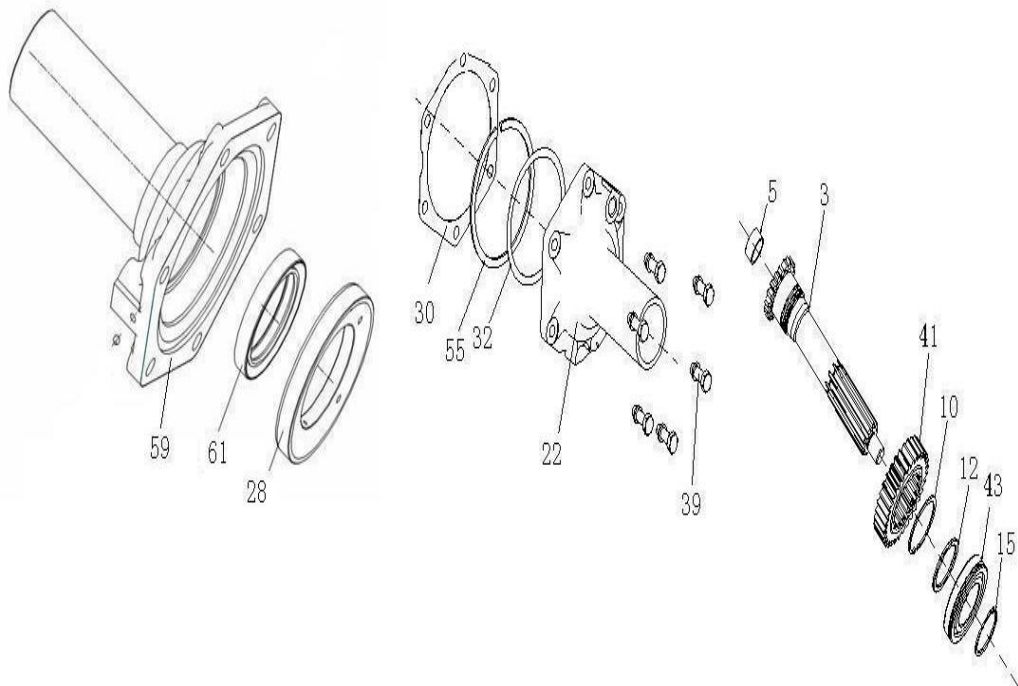
3.1.07 范围档副箱组件/Sub Gearbox



3.1.07 范围档副箱组件/Sub Gearbox

序号	零部件图号	名称	Part Name	数量	备注
No.	Part No.			Qty	Remark
89	AZ9007990001	硅酮密封胶	Sealant	001	
90	AZ9007970242	螺纹紧固胶LOCTITE242	Thread glue	001	
91	AZ9007990001	硅酮密封胶	Sealant	001	
92	AZ9007970271	螺纹紧固胶LOCTITE271	Thread glue	001	
93	AZ9007970242	螺纹紧固胶LOCTITE242	Thread glue	001	

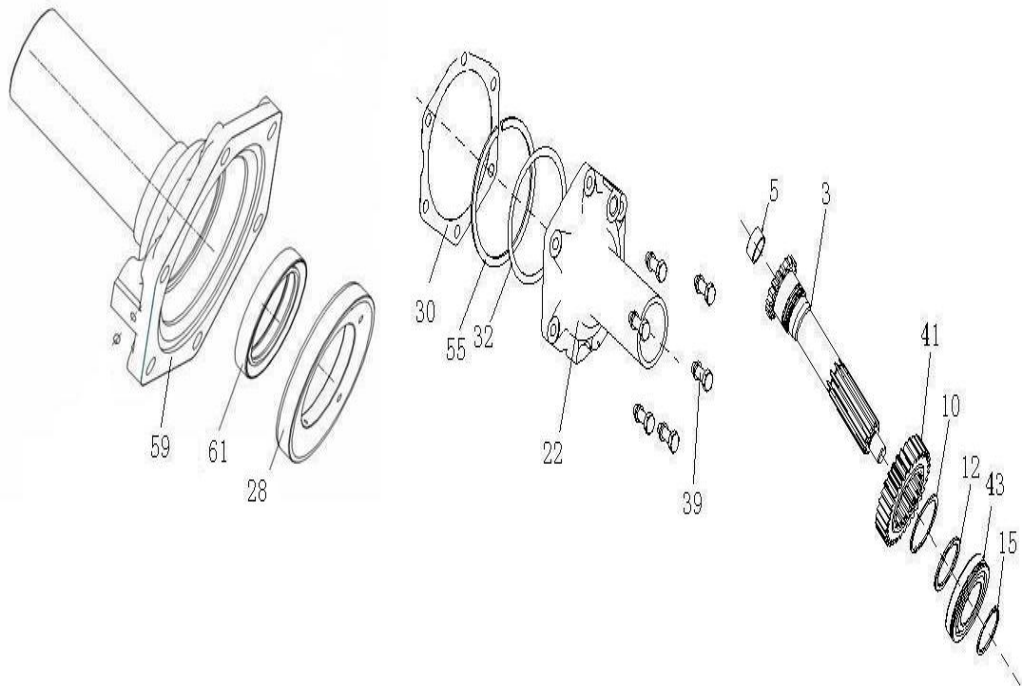
3.1.08 输入轴及端盖组件(细高齿)/Input Shaft and Cover



3.1.08 输入轴及端盖组件(细高齿)/Input Shaft and Cover

序号	零部件图号	名称	Part Name	数量	备注
No.	Part No.			Qty	Remark
1	AZ2203020021	输入轴及一轴齿轮总成	Input shaft & gear assembly	1	
2	AZ2203020103	输入轴总成	Input shaft assembly	1	
5	WG2229020005	衬套	Bushing	1	
10	WG2229040003	卡簧	Clip	1	
12	WG2229040103	隔套	Sleeve	1	
15	AZ2208020001	卡簧选用件组	Clip components	1	
22	AZ2203020108	输入轴端盖及导油环总成	Cover and oil ring assembly	1	
28	WG2229020007	导油环	Oil ring	1	
30	WG2229020008	输入轴端盖纸垫	Gasket	1	
32	AZ2208020002	输入轴承调整垫片组	Shim	1	
33	WG2229020011	调整垫片	Shim	1	
35	WG2229020012	调整垫片	Shim	1	
37	WG2229020013	调整垫片	Shim	1	
39	WG9003801030	组合涂胶螺栓Q1421030	Bolt assembly	6	
41	WG2210020105	输入轴	Input shaft	1	
43	WG2210020322	一轴齿轮	Gear	1	
45	WG9003326213	滚动轴承6213N-GB/T276	Bearing	1	
47	WG9003991065	轴用弹性挡圈	Circlip	1	
49	WG9003992065	轴用弹性挡圈	Circlip	1	
51	WG9003993065	轴用弹性挡圈	Circlip	1	

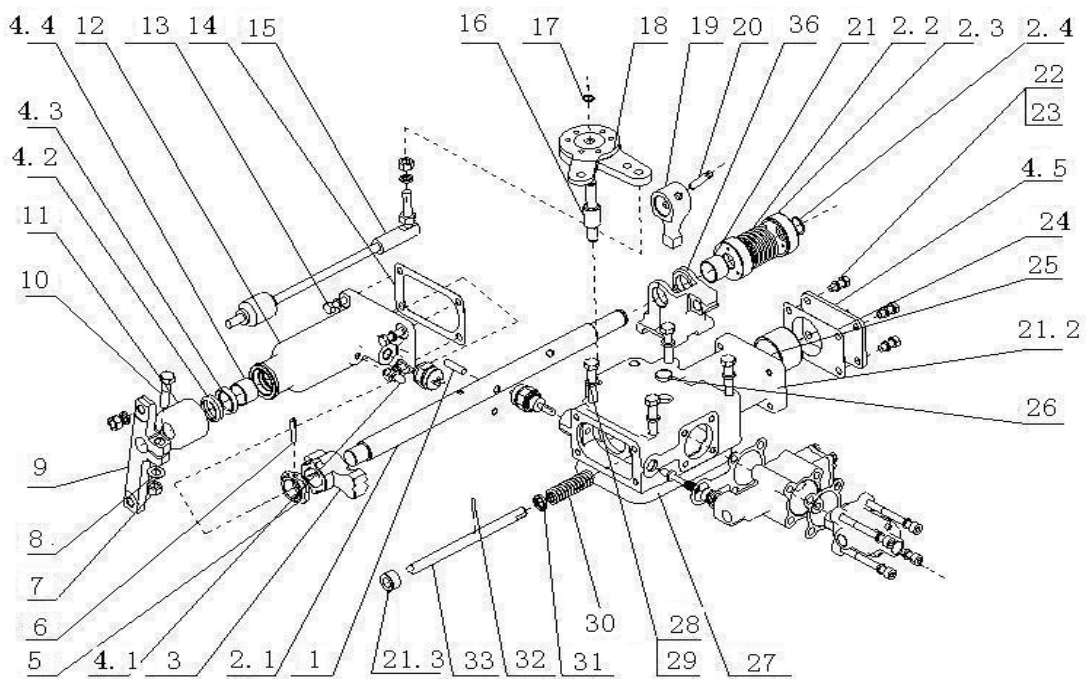
3.1.08 输入轴及端盖组件(细高齿)/Input Shaft and Cover



3. 1. 08 输入轴及端盖组件(细高齿)/Input Shaft and Cover

序号	零部件图号	名称	Part Name	数量	备注
No.	Part No.			Qty	Remark
53	WG9003994065	轴用弹性挡圈	Circlip	1	
55	WG9003995065	轴用弹性挡圈	Circlip	1	
57	WG9003990120	止动环120/129.7-GB305	Ring	1	
59	WG2203020002	输入轴端盖总成	Input shaft cover assembly	1	
61	WG9003070055	骨架油封PS 55 75 12	Oil seal	1	

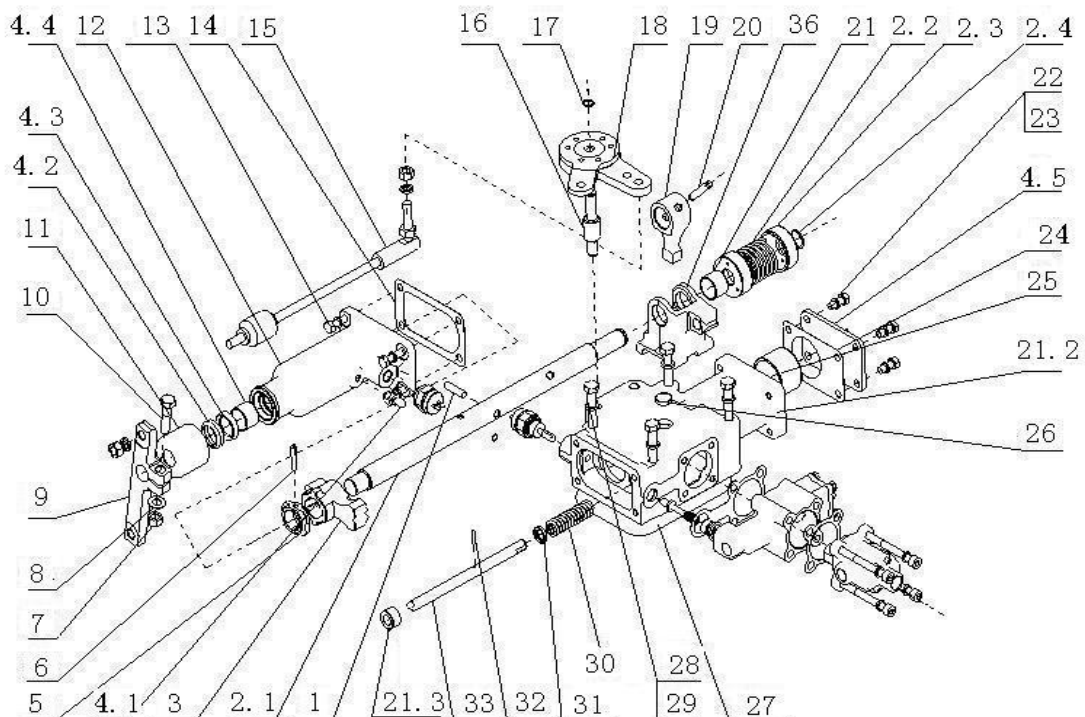
3. 1. 09 小盖组件/Small Cover



3.1.09 小盖组件/Small Cover

序号	零部件图号	名称	Part Name	数量	备注
No.	Part No.			Qty	Remark
-	AZ2203210040	10挡小盖总成（双杆）	Small cover ass.	1	
1	WG2229210012	驱动销	Pin	1	
2	AZ2203210025	换挡轴总成	Shifting shaft ass.	1	
2.1	AZ2212210007	换挡轴（双杆）	Shifting shaft	1	To 20110107
2.1	WG2212210007	换挡轴（双杆）	Shifting shaft	1	From 20110107
2.2	WG2229210021	定中弹簧（低档侧）	Spring	1	
2.3	AZ2229210007	定中座环	Ring	2	
2.4	Q43120	轴用弹性挡圈	Snap ring	1	
3	AZ2229210008	扇形自锁块	Block	1	To 20110107
3	WG2229210008	扇形自锁块	Block	1	From 20110107
4	AZ2203210008	小盖端盖总成（双杆）	Cover ass.	1	
4.1	Q901	常开式通气塞	Plug	1	
4.2	AZ9003072502	端盖外油封	Oil sealing - outside	1	To 20110107
4.2	WG9003072502	端盖外油封	Oil sealing - outside	1	From 20110107
4.3	WG9003072501	端盖内油封	Oil sealing - inside	1	
4.3	AZ9003072501	端盖内油封	Oil sealing - inside	1	
4.4	WG2229002520	复合衬套	Sleeve	1	
4.5	AZ2229210034	小盖端盖	Cover	1	To 20110107
4.5	WG2229210034	小盖端盖	Cover	1	From 20110107
5	WG2229210014	传感器驱动环	Ring	1	
6	Q5280632	弹性圆柱销	Cylinder pin	1	

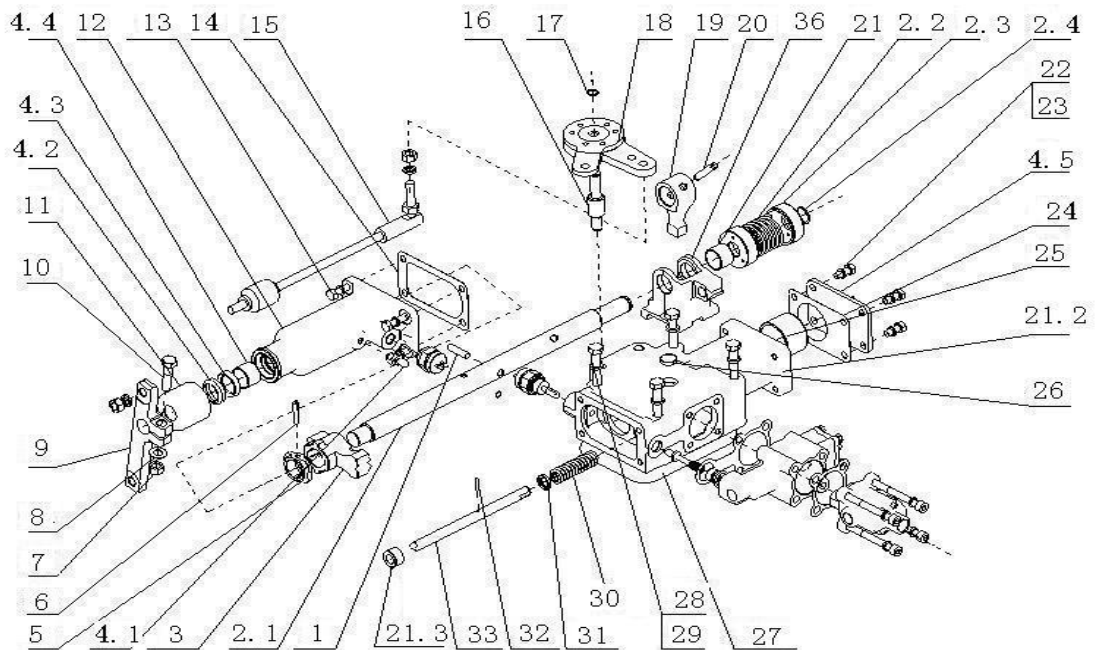
3.1.09 小盖组件/Small Cover



3.1.09 小盖组件/Small Cover

序号	零部件图号	名称	Part Name	数量	备注
No.	Part No.			Qty	Remark
7	Q340B10T13F2	I型六角螺母	Nut	1	
8	Q41810	波形弹性垫圈	Spring washer	1	
9	WG2214210004	摇臂	Rocking arm	1	
10	Q150B1040TF2	六角头螺栓	Screw	1	
11	WG2229210026	防尘罩	Dustproof cover	1	
12	Q40308	弹簧垫圈	Spring washer	4	
13	Q150B0825	六角头螺栓	Screw	4	
14	WG2229210017	端盖衬垫	Gasket	1	
15	WG2229210041	支撑杆总成	Support lever ass.	1	
16	WG2229270003	选档支撑轴	Shaft	1	
17	Q43112	轴用弹性挡圈	Snap ring	1	
18	WG2229210040	选档杆总成	Selecting gear rod assembly	1	
19	AZ2214210103	换挡头	Block	1	To 20110107
19	WG2214210103	换挡头	Block	1	From 20110107
20	WG2229210009	销	Pin	1	
21	AZ2203210030	小盖壳体总成	House ass.	1	To 20110107
21	AZ2203210030	小盖壳体总成	House ass.	1	From 20110107
21.1	WG2229002520	复合衬套SF2 25×28×20	Sleeve	1	
21.2	WG2222210038	小盖壳体(10挡, 双杆)	House	1	
21.3	WG2229210001	衬套	Bush	1	

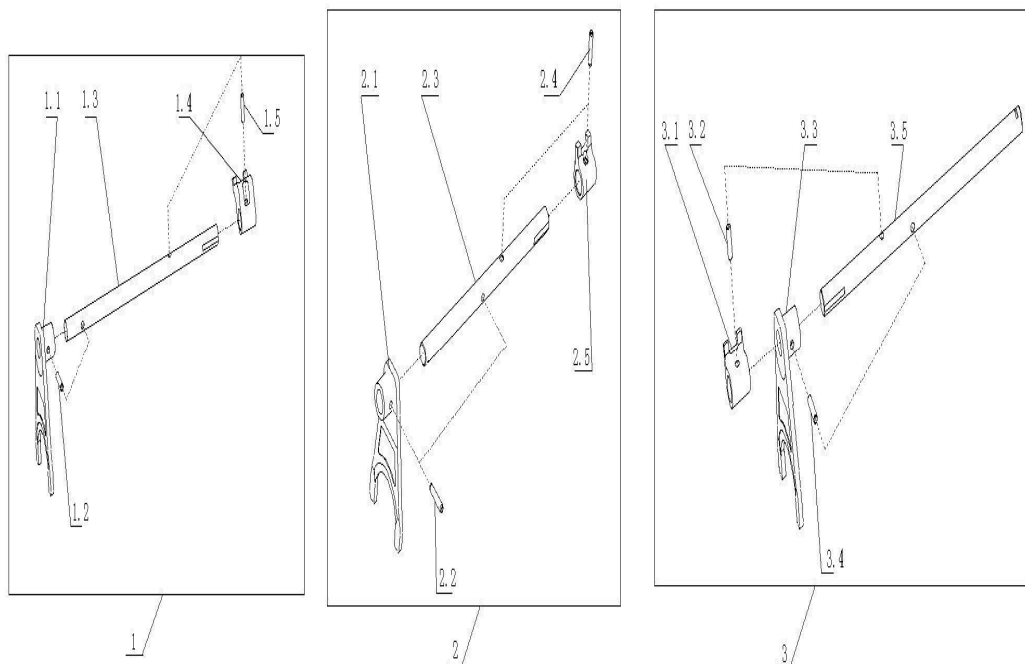
3.1.09 小盖组件/Small Cover



3.1.09 小盖组件/Small Cover

序号	零部件图号	名称	Part Name	数量	备注
No.	Part No.			Qty	Remark
22	Q150B0820	六角头螺栓	Screw	4	
23	Q40308	弹簧垫圈	Spring washer	4	
24	AZ2229210037	小盖端盖纸垫	Paper gasket of small cover	1	To 20110107
24	WG2229210037	小盖端盖纸垫	Paper gasket of small cover	1	From 20110107
25	AZ2229210029	隔环	Spacer ring	1	To 20110107
25	WG2229210029	隔环	Spacer ring	1	From 20110107
26	Q72220	碗形塞片	Core plug	1	
27	AZ2229210050	小盖纸垫	Paper gasket	1	To 20110107
27	WG2229210050	小盖纸垫	Paper gasket	1	From 20110107
28	Q150B1085	六角头螺栓	Screw	4	
29	Q40310	弹簧垫圈	Spring washer	4	
30	AZ2229210033	自锁弹簧	Spring	1	To 20110107
30	WG2229210033	自锁弹簧	Spring	1	From 20110107
31	WG2229210011	弹簧挡片	Spacer	1	
32	AZ9003343178	滚针	Needle	1	
33	AZ2212210005	自锁销轴	Shaft	1	To 20110107
33	WG2212210005	自锁销轴	Shaft	1	From 20110107
35	WG2222210034	小盖端盖(双杆摇臂侧)	Small end cover	1	
36	AZ2214210010	互锁叉	Fork	1	To 20110107
36	WG2214210010	互锁叉	Fork	1	From 20110107
37	WG2229210036	定位导套	Guide sleeve	2	
	AZ9007970242	螺纹紧固胶	Glue	1	
	AZ9007970001	LOCTITE 粘结剂	Glue	1	

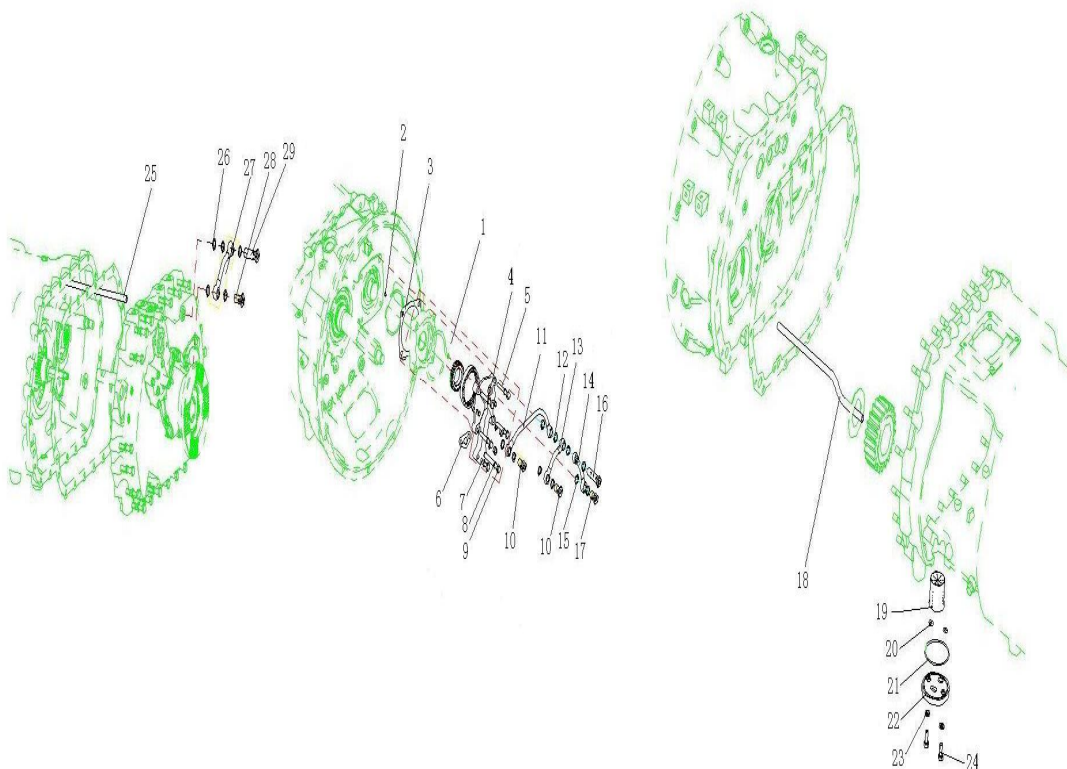
3.1.10 拨叉轴组件/Fork Shaft



3.1.10 拨叉轴组件/Fork Shaft

序号	零部件图号	名称	Part Name	数量	备注
No.	Part No.			Qty	Remark
1	AZ2203220101	倒爬挡拨叉轴总成	Reverse gear fork shaft ass.	1	
1.1	WG2214220001	拨叉	Fork	1	
1.2	WG2229220002	销	Pin	1	
1.3	WG2212220201	倒爬挡拨叉轴	Reverse gear fork shaft	1	
1.4	WG2214220002	倒挡拨块	Block-reverse gear	1	
1.5	WG2229220001	销	Pin	1	
2	AZ2203220010	一、二挡拨叉轴总成	1st&2nd gear fork shaft ass.	1	
2.1	WG2214220001	拨叉	Fork	1	
2.2	WG2229220002	销	Pin	1	
2.3	WG2212220102	一、二挡拨叉轴	1st&2nd gear fork shaft	1	
2.4	WG2229220001	销	Pin	1	
2.5	WG2214220004	前进档拨块	Block	1	
3	AZ2203220103	三、四挡拨叉轴总成	3rd&4th gear fork shaft ass.	1	
3.1	WG2214220003	前进档拨块	Block-forward gear	1	
3.2	WG2229220001	销	Pin	1	
3.3	WG2214220001	拨叉	Fork	1	
3.4	WG2229220002	销	Pin	1	
3.5	WG2212220103	三、四挡拨叉轴	3rd&4th gear fork shaft	1	

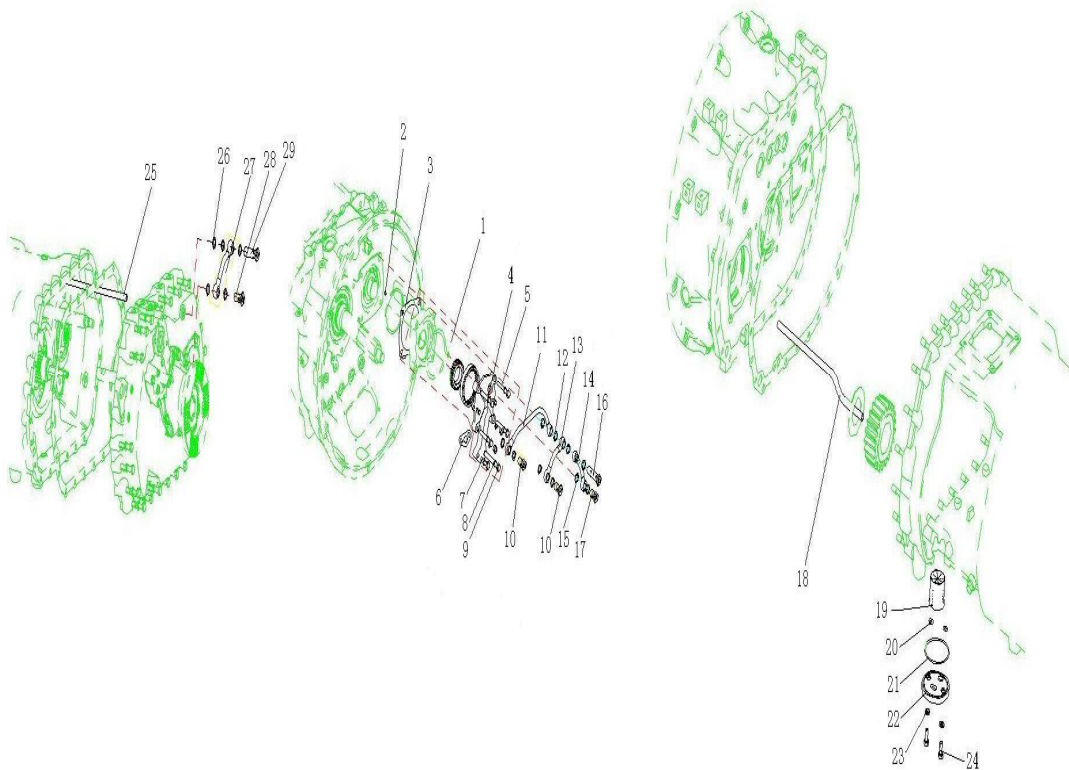
3.1.11 油泵及管路组件/Oil Pump and Pipe



3.1.11 油泵及管路组件/Oil Pump and Pipe

序号	零部件图号	名称	Part Name	数量	备注
No.	Part No.			Qty	Remark
1	WG2203240005	油泵总成	Oil pump	1	
2	WG9003338000	钢球8.000 G200b GB308	Ball	1	
3	WG2229000002	副轴端盖衬垫	Gasket	1	
4	Q40110	平垫圈	Washer	2	
5	Q150B1070	六角头螺栓	Bolt	4	
6	WG2229240003	进油管纸垫	Gasket	1	
7	Q150B1040	六角头螺栓	Bolt	1	
8	Q40310	弹簧垫圈	Spring washer	4	
9	Q150B1090	六角头螺栓	Bolt	1	
10	190003962627	空心螺栓	Hollow bolt	2	
11	WG2203240013	箱体进油管总成	Tube assembly	1	
12	WG9004130016	组合密封垫圈	Gasket assembly	8	
13	WG2203240012	输入轴进油管总成	Tube assembly	1	
14	WG2203240011	出油管总成	Tube assembly	1	
15	WG9004130016	组合密封垫圈	Gasket assembly	2	
16	WG9003961670	空心螺栓	Hollow bolt	1	
17	190003962627	空心螺栓	Hollow bolt	1	
18	WG2229240107	箱内管1	Tube	1	
19	WG2203240007	滤网总成	Net assembly	1	
20	WG9003070085	O形圈26500850 GB3452.1	O-ring	2	

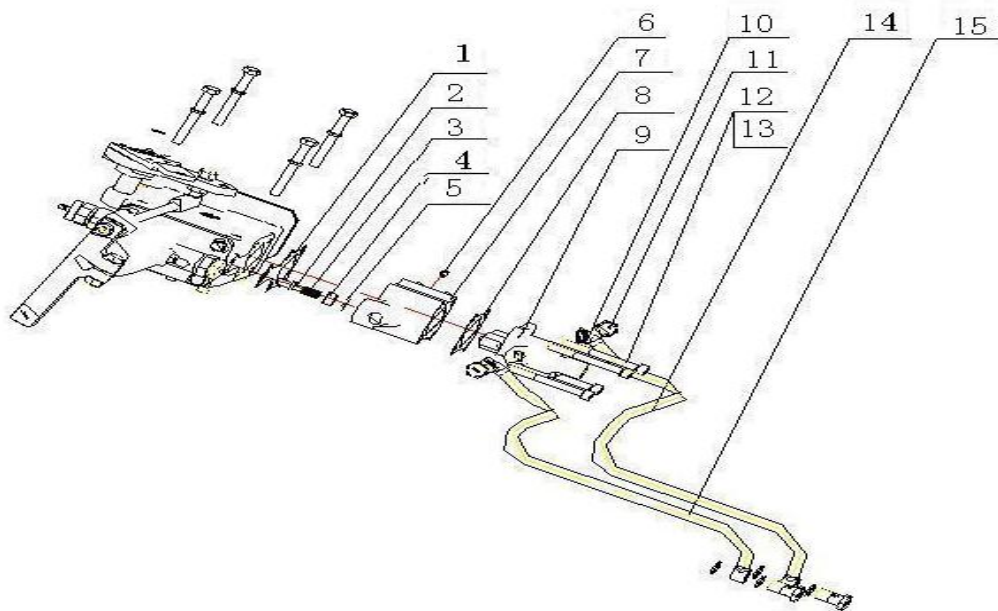
3.1.11 油泵及管路组件/Oil Pump and Pipe



3.1.11 油泵及管路组件/Oil Pump and Pipe

序号	零部件图号	名称	Part Name	数量	备注
No.	Part No.			Qty	Remark
21	WG9003077100	O形圈26507100 GB3452.1	O-ring	1	
22	WG2222240005	滤网端盖	Cover	1	
23	Q40308	弹簧垫圈	Spring washer	2	
24	Q150B0822	六角头螺栓	Bolt	2	
25	WG2229240108	箱内管2	Tube	1	
26	WG9004130016	组合密封垫圈	Gasket assembly	6	
27	WG2203240014	副箱进油管总成	Tube assembly	1	
28	190003962627	空心螺栓	Hollow bolt	1	
29	WG9003961650	空心螺栓	Hollow bolt	1	
30	AZ9007970242	螺纹紧固胶LOCTITE242	Thread glue	1	

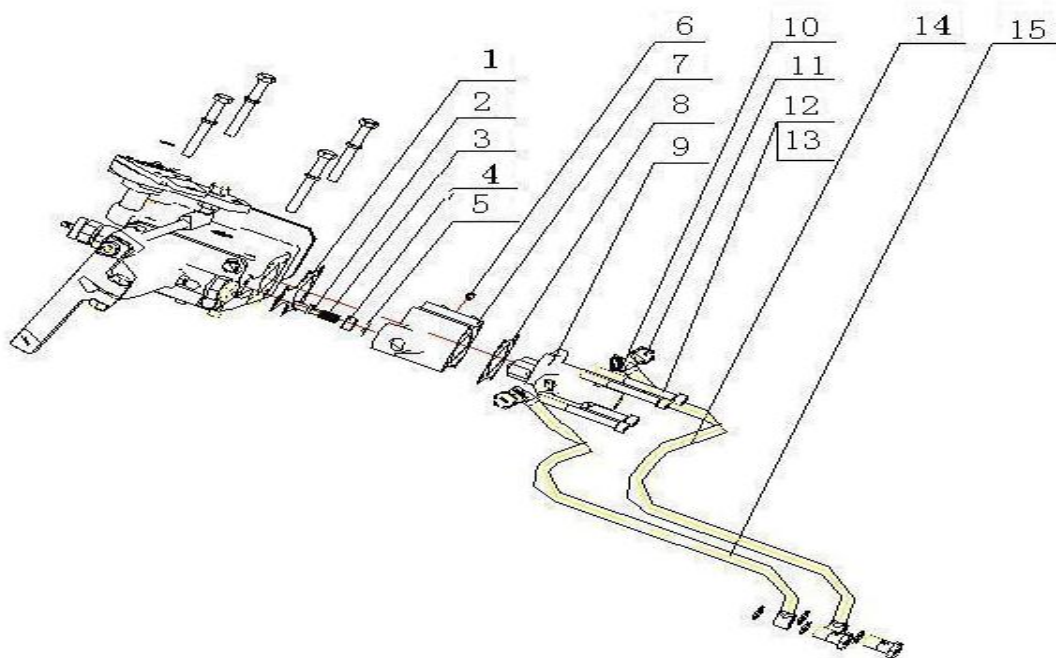
3.1.12 气路管路阀组件/Air Pipe and Valve



3.1.12 气动管路阀组件/Air Pipe and Valve

序号	零部件图号	名称	Part Name	数量	备注
No.	Part No.			Qty	Remark
1	WG2229250023	气控阀纸垫	Paper pad	1	From 20110107
1	AZ2229250023	气控阀纸垫	Paper pad	1	To 20110107
2	WG2229250015	锁止销	Pin	1	From 20110107
2	AZ2229250015	锁止销	Pin	1	To 20110107
3	WG2229250004	弹簧	Spring	1	From 20110107
3	AZ2229250004	弹簧	Spring	1	To 20110107
4	WG2229250017	衬套	Bush	1	From 20110107
4	AZ2229250017	衬套	Bush	1	To 20110107
5	WG9003071700	O形圈	O-ring	1	From 20110107
5	AZ9003071700	O形圈	O-ring	1	To 20110107
6	WG2229250006	直通	Through connector	1	
7	WG2203250010	气控锁止阀总成	Lock Valve ass.	1	From 20110107
7	AZ2203250010	气控锁止阀总成	Lock Valve ass.	1	To 20110107
8	WG2229250024	双H阀衬垫	Gasket	1	From 20110107
8	AZ2229250024	双H阀衬垫	Gasket	1	To 20110107
9	WG2203250003	双H阀总成	Double "H" valve ass.	1	From 20110107
9	AZ2203250003	双H阀总成	Double "H" valve ass.	1	To 20110107
10	Q72314	密封垫圈	Sealing washer	8	
11	190003962621	空心螺栓	Female screw	4	
12	Q218B0880	内六角圆柱头螺钉	Screw	4	

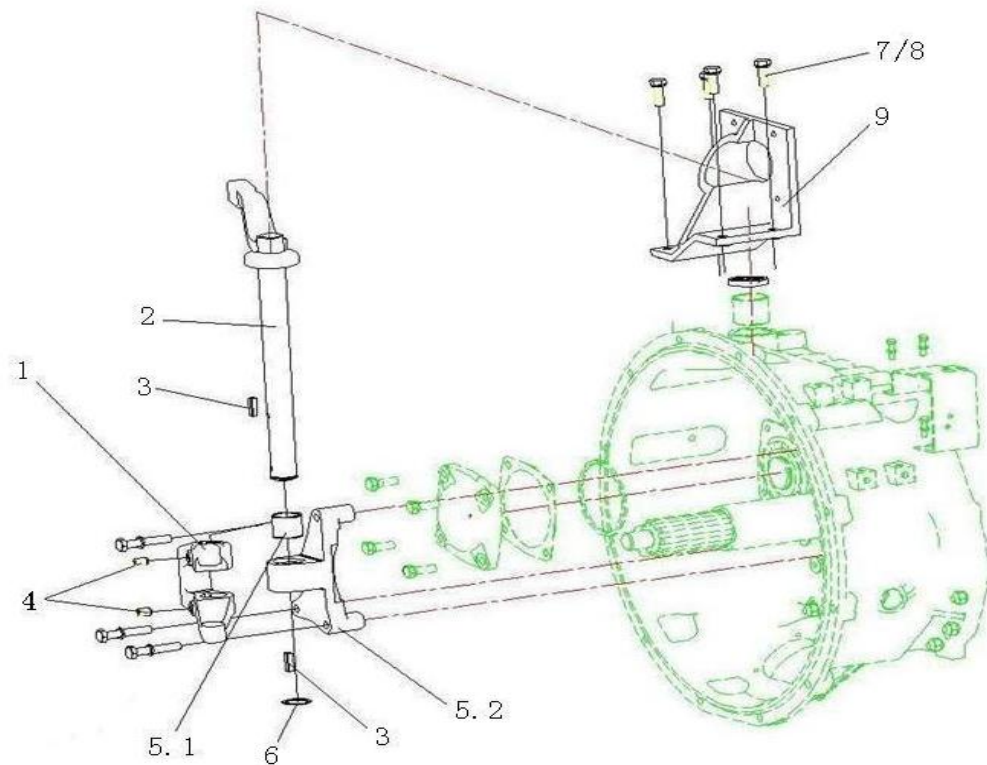
3.1.12 气动管路阀组件/Air Pipe and Valve



3.1.12 气动管路阀组件/Air Pipe and Valve

序号 No.	零部件图号 Part No.	名称	Part Name	数量 Qty	备注 Remark
13	Q40308	弹簧垫圈	Spring washer	4	
14	WG2203250019	范围挡成型软管总成(高挡)	Hose ass.(higher gears)	1	
15	WG2203250018	范围挡成型软管总成(低挡)	Hose ass.(lower gears)	1	

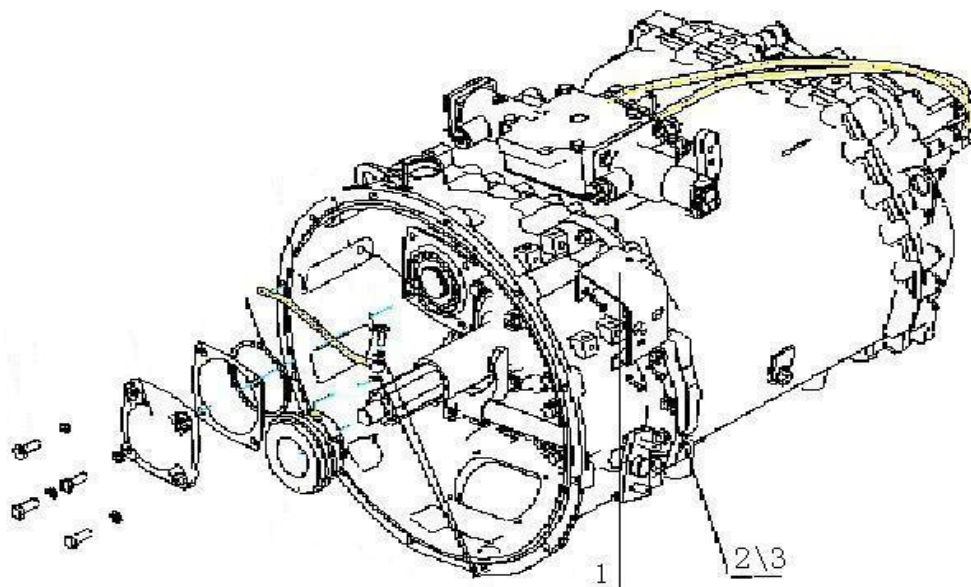
3.1.13 离合器操纵组件/Clutch Control System



3.1.13 离合器操纵组件/Clutch Control System

序号	零部件图号	名称	Part Name	数量	备注
No.	Part No.			Qty	Remark
1	WG2214260001	离合器分离拨叉	Fork	1	
2	WG2203260008	拨叉轴总成	Shaft assembly	1	
3	Q5510825	普通平键	Key	2	
4	Q2881016F9	内六角锥端紧定螺钉	Screw	2	
5	AZ2203260001	拨叉轴支架总成	Bracket assembly	1	
5.1	WG2229003030	复合衬套	Bushing	1	
5.2	WG2229260001	拨叉轴支架	Bracket	1	
6	Q43130	轴用弹性挡圈	Circlip	1	
7	Q150B1030	六角头螺栓	Bolt	4	
8	Q40310	弹簧垫圈	Spring washer	4	
9	WG2229260016	助力缸支架	Bracket	1	
10	Q40310	弹簧垫圈	Spring washer	3	
11	AZ9007970242	螺纹紧固胶	Thread glue	1	
12	AZ2229260014	盖板	Cover	1	
13	Q150B0615	六角头螺栓	Bolt	4	
14	Q40306	弹簧垫圈	Spring washer	4	
15	WG9003801062	六角头螺栓Q150B1062	Bolt	3	

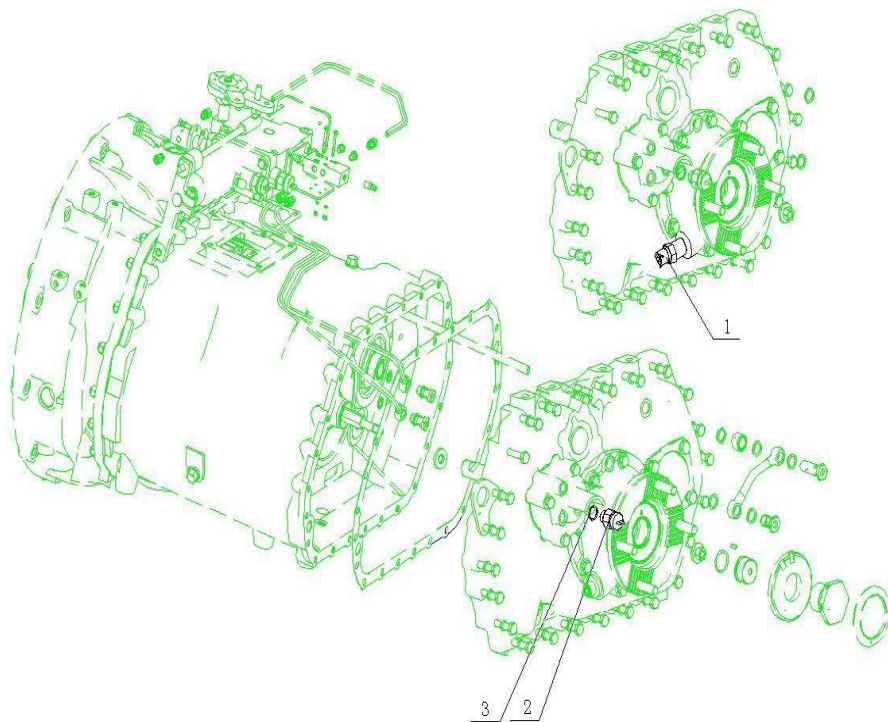
3.1.14 变速器操纵附件/Shifting Accessories



3.1.14 变速器操纵附件/Shifting Accessories

序号	零部件图号	名称	Part Name	数量	备注
No.	Part No.			Qty	Remark
1	WG2229270004	软轴支架（拉式）	Bracket	1	
2	Q150B1020	六角头螺栓	Screw	4	
3	Q40310	弹簧垫圈	Spring washer	4	

3.1.15 变速器电器开关组件/Electric Switch

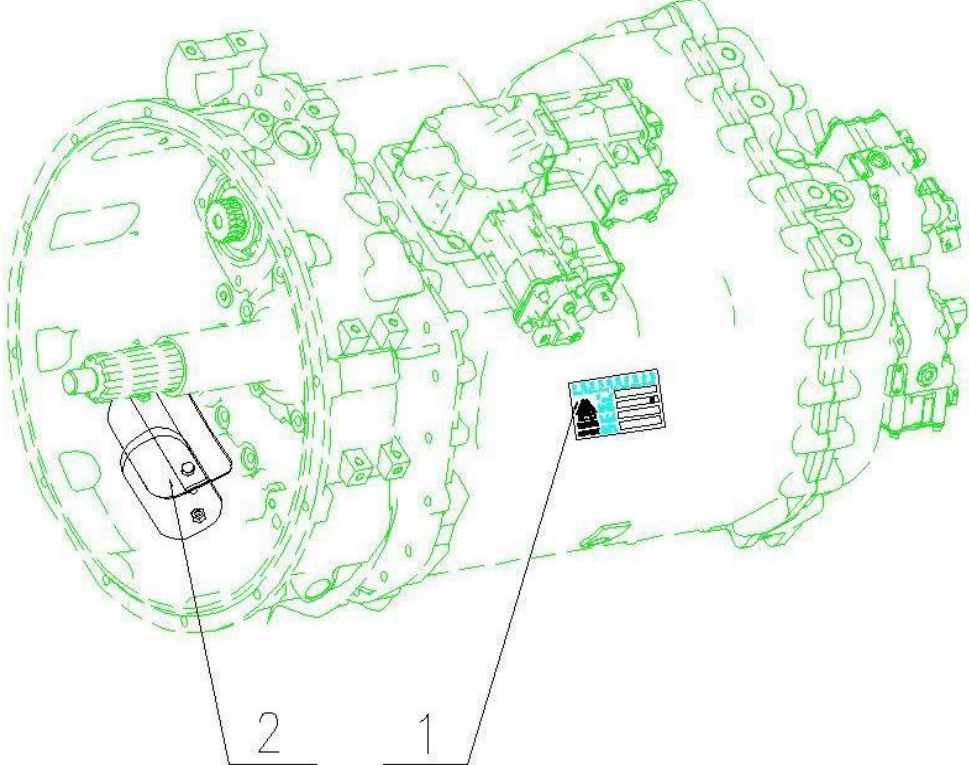




3.1.15 变速器电器开关组件/Electric Switch

序号 No.	零部件图号 Part No.	名称	Part Name	数量 Qty	备注 Remark
1	WG2209280010	里程表传感器	Speedometer sensor	1	
2	WG9100710069	压力开关	Pressure switch	1	
3	WG2229280001	密封垫圈	Washer	2	
-	WG2209280004	空挡压力开关(常闭)	Pressure switch(normally of	1	
-	WG2209280003	倒挡压力开关(常开)	Pressure switch(normally of	1	

3.1.16 标牌组件/Name Plate



3.1.16 标牌组件/Name Plate

序号 No.	零部件图号 Part No.	名称	Part Name	数量 Qty	备注 Remark
1	AZ2229300001	铭牌	Nameplate	1	
2	WG2203260011	前壳盖板总成	Cover	1	

3.1.17 HW50取力器组件/PTO



3.1.17 HW50取力器组件/ PTO					
序号	零部件图号	名称	Part Name	数量	备注
No.	Part No.			Qty	Remark
*	WG9700290010	取力器总成	PTO ass.	1	
*	WG9003070800	O形圈	O-ring	1	